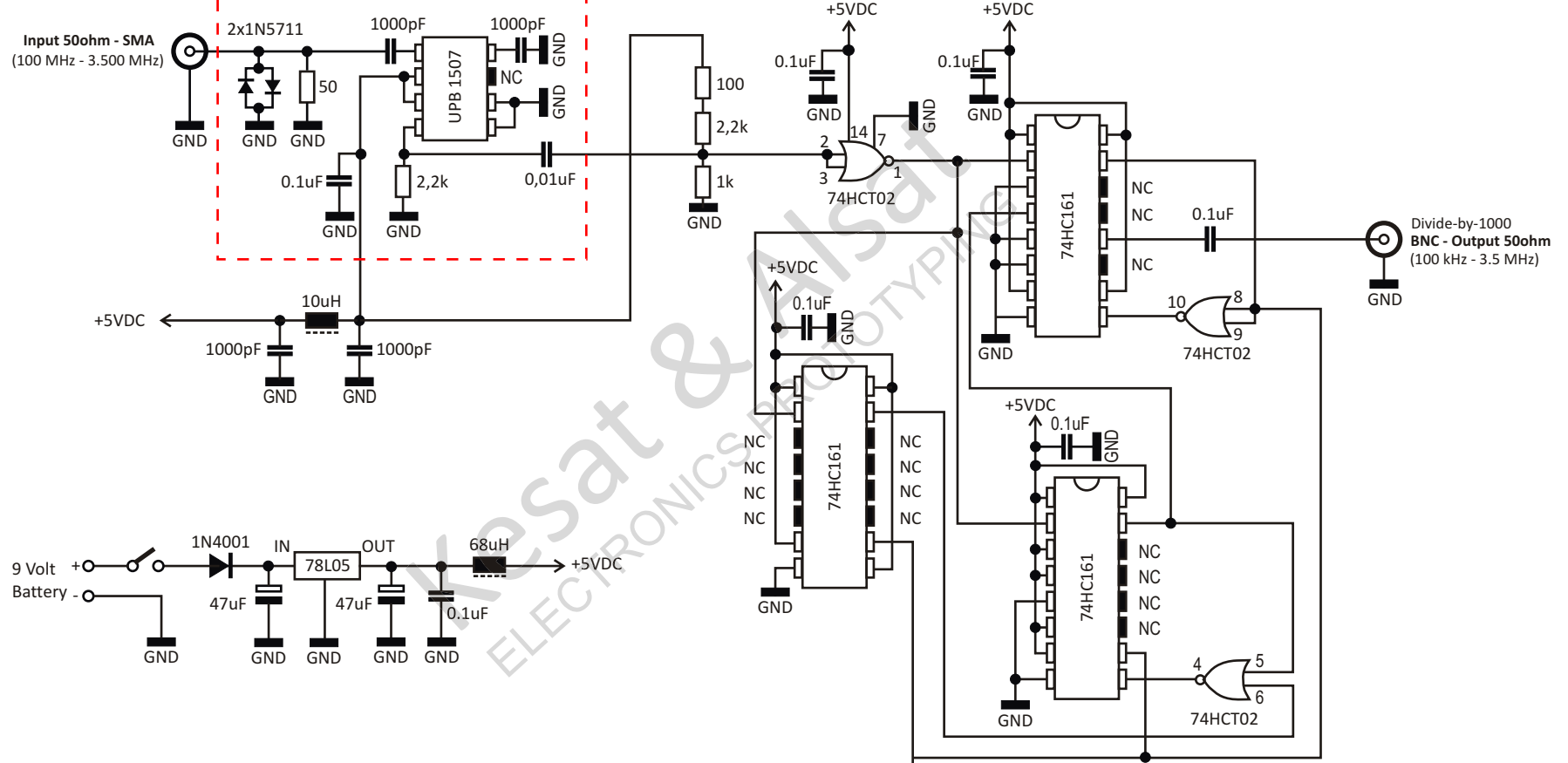



NEC UPB1507 or Fujitsu MB506  
Divide by 128

Surface Mount With Ground Plane



PROJECT Nr: 23

 <b>KesatNet</b> Electronic Praktikum Group Pljeverja - Montenegro	NAME:	Divide-by-1000 <b>3.5 GHz PRESCALER</b>	
	DATE:	DESIGN:	Nr. P23/ 01
	21.07.2012.	Kemal (406DK) & Alija Dervic	