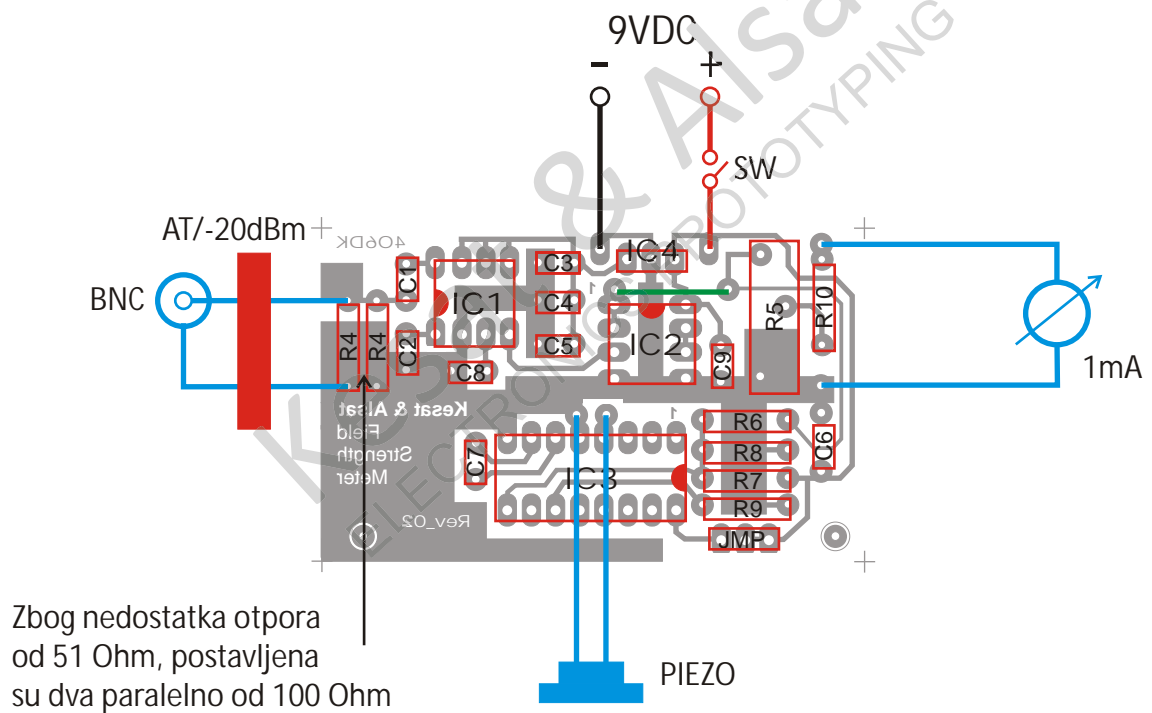


PCB U RAZMJERI 1:1 SPREMAN ZA ŠTAMPU



RASPORED ELEMENATA


KesatNet

Electronic Praktikum Group
Pljevlja - Montenegro

NAME:

FIELD STRENGTH METER
0-500 MHz - PCB

DATE:
02.12.2012.

DESIGN:
Kemal & Alija Dervi

Nr. P26/ 02