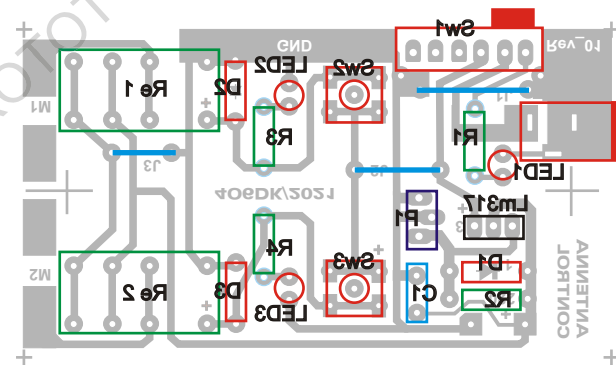



Kesat & Alsat  
ELECTRONICS PROTOTYPING



[www.kesatnet.me](http://www.kesatnet.me)

PROJECT Nr: 35

 <b>KesatNet</b>	NAME: <b>Magnetic Loop Antenna Controller-PCB</b>		
	Electronic Praktikum Group Pljevlja - Montenegro	DATE: 21.11.2021.	DESIGN: by Kemal Dervic 406DK
			Nr. P35/ 01