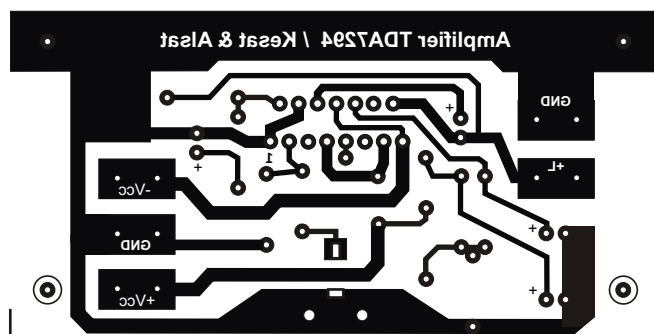
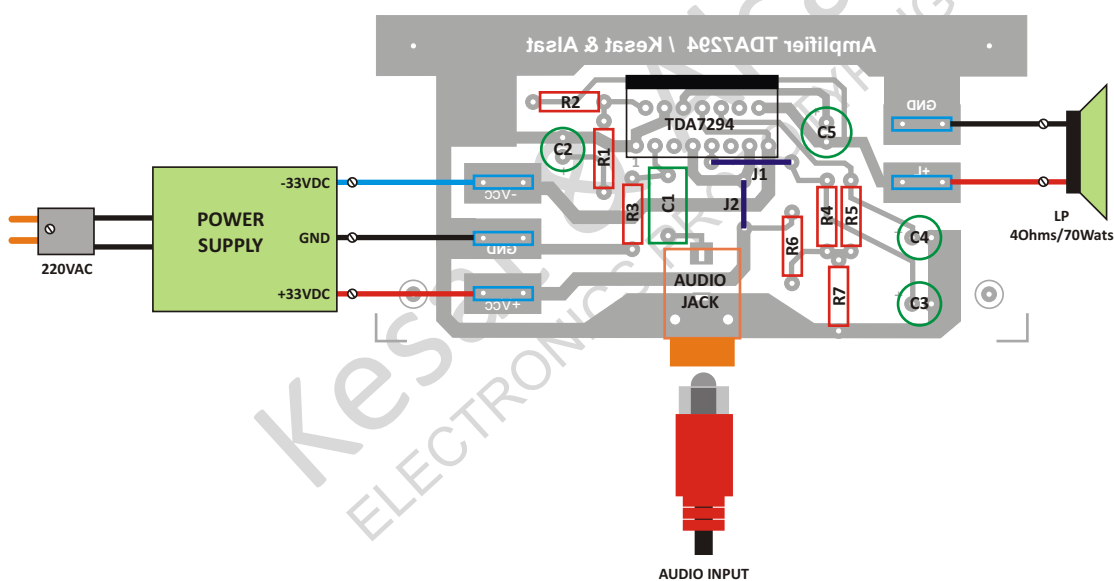



PCB: razmjer 1:1



RASPORED ELEMENATA



PROJECT Nr: 6-A
www.kesatnet.me

 KesatNet Electronic Praktikum Group Pijevlja - Montenegro	NAME: AUDIO POJAČAVAČ 50W TDA7294 PCB	
	DATE: 02.12.2015.	DESIGN: Kemal & Alija Dervić
		Nr. 6-A/ 02