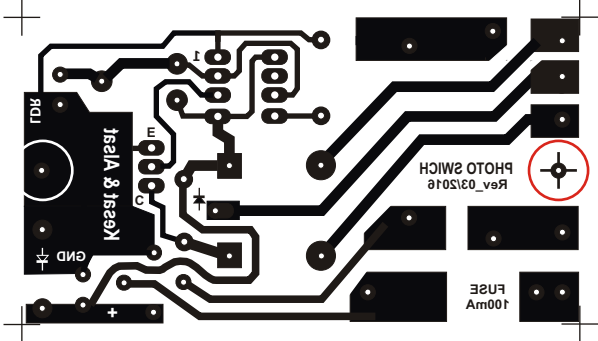
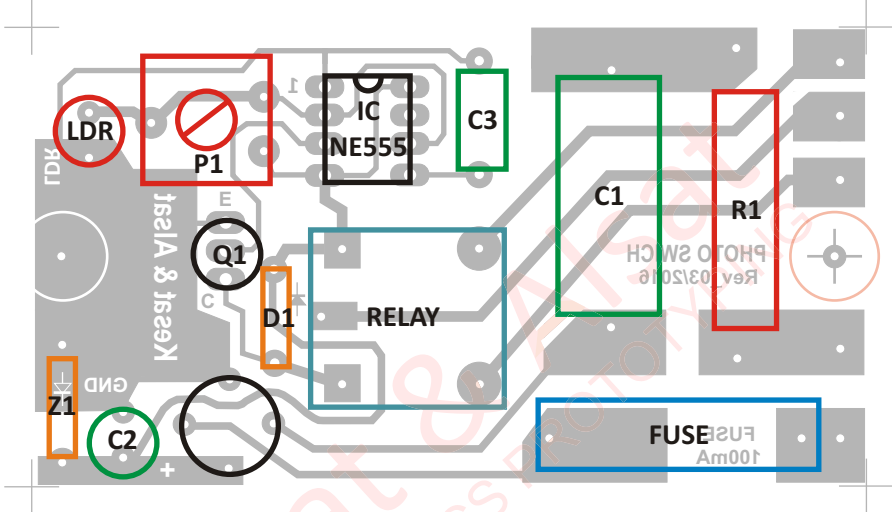


PCB 1:1



RASPORED ELEMENATA



 KesatNet Electronic Praktikum Group Pljevlja - Montenegro	NAME:	PHOTO RELAY 1000W PCB I RASPORED ELEMENATA	
	DATE:	DESIGN:	Nr. 11-O/ 02
	05.03.2012.	Kemal & Alija Dervić	